

BACK-ROLLER CORE SPORT-ROLLER CORE

DE MONTAGEANLEITUNG
GB ASSEMBLY INSTRUCTIONS
FR INSTRUCTIONS DE MONTAGE

IT ISTRUZIONI DI MONTAGGIO
NL MONTAGE HANDLEIDING
DK MONTERINGSVEJLEDNING

ES INSTRUCCIONES DE MONTAJE
SE MONTERINGS ANVISNING
NO MONTERINGS ANVISNING

FI ASENNUSOHJEET
PL INSTRUKCJA MONTAZU
JP 装着方法



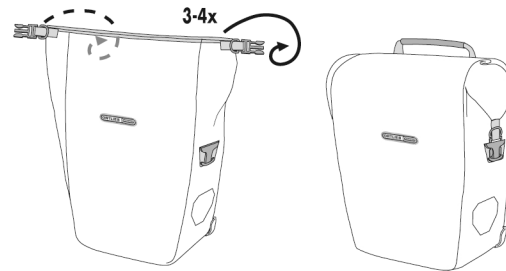
QL2.1 - MODELS

Back-Roller Core

Sport-Roller Core

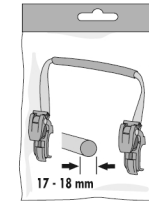
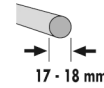


⚠

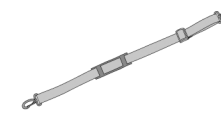


ACCESSORIES

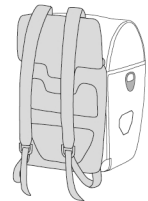
= + Art. #E211



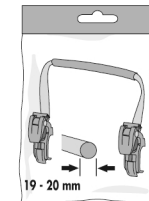
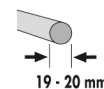
= + E 172



= + Art. #F35

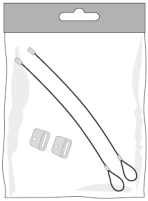


= + Art. #E193

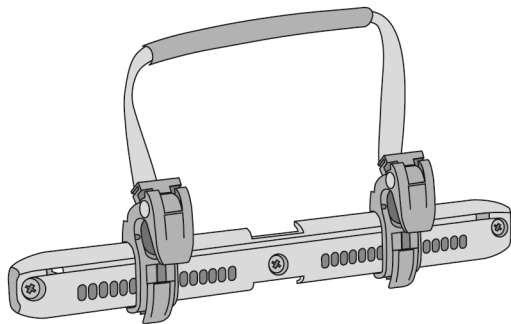


= + Art. #E125 (l)

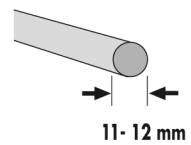
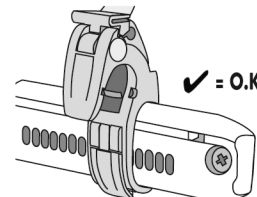
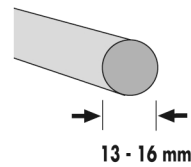
= + Art. #E124 (s)



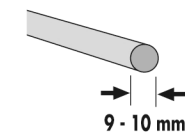
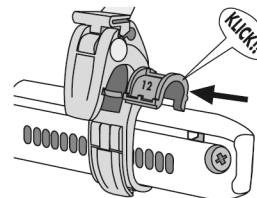
QL2.1



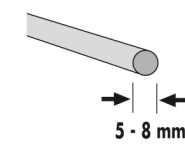
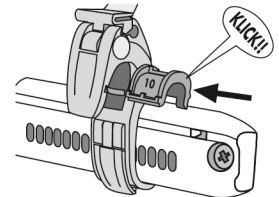
A



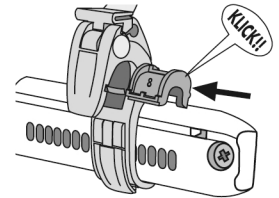
+ C
12 mm



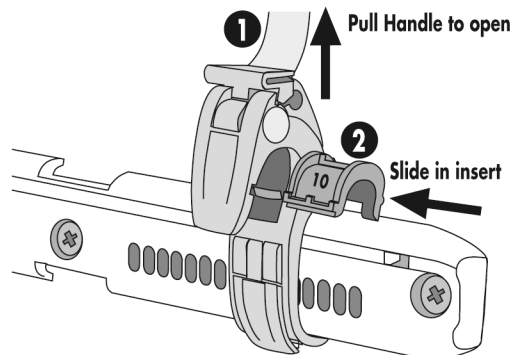
+ B
10 mm



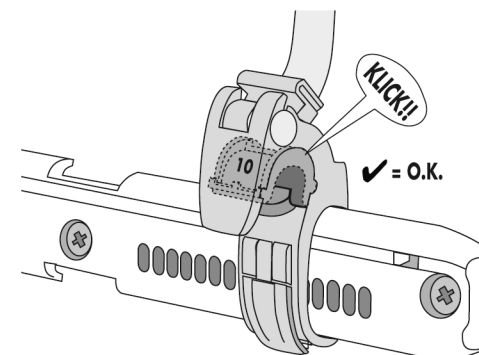
+ A
8 mm



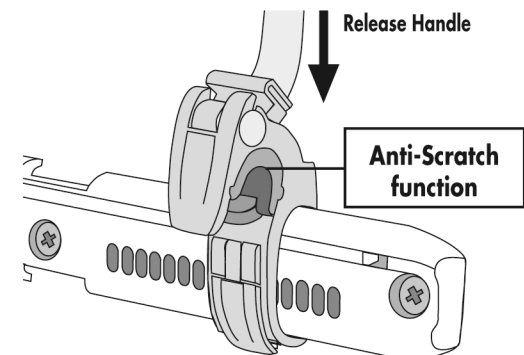
B



C



D



= A 8 mm = B 10 mm = C 12 mm

