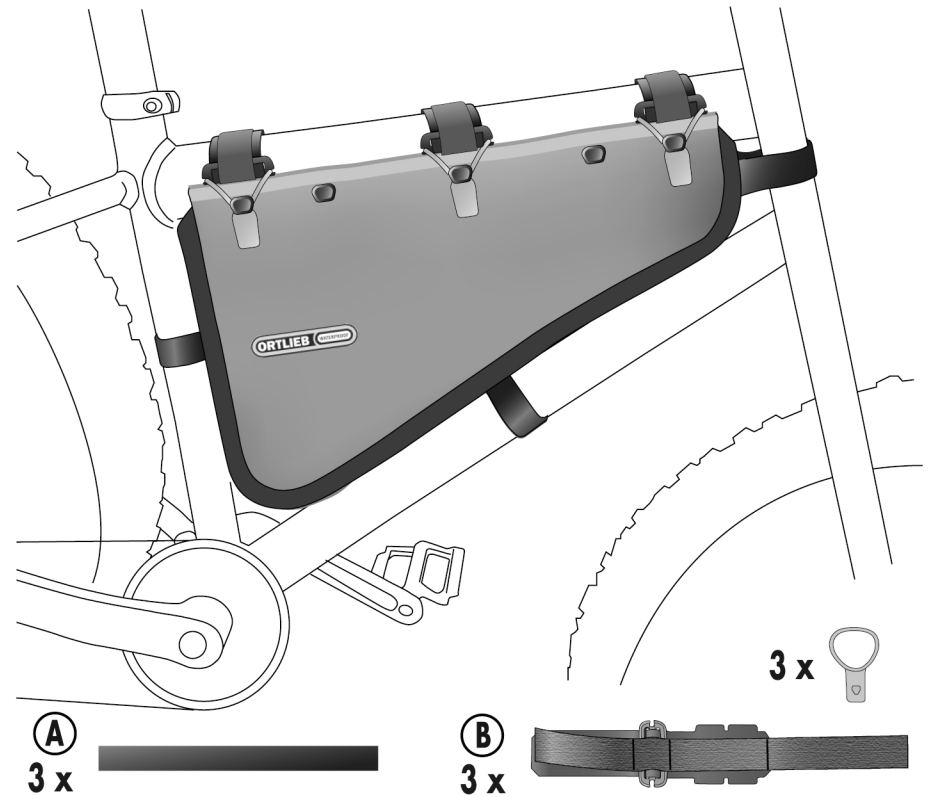


FRAME-PACK RC



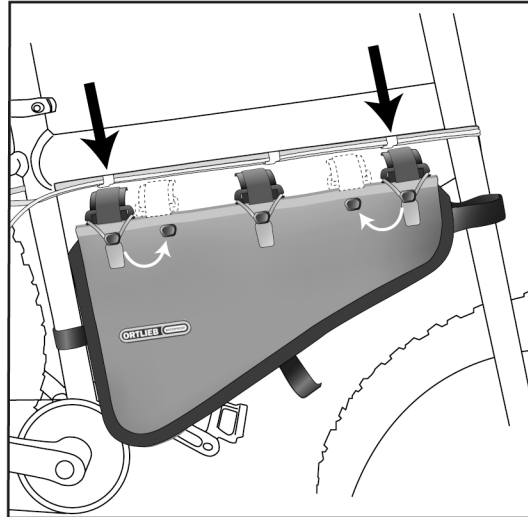
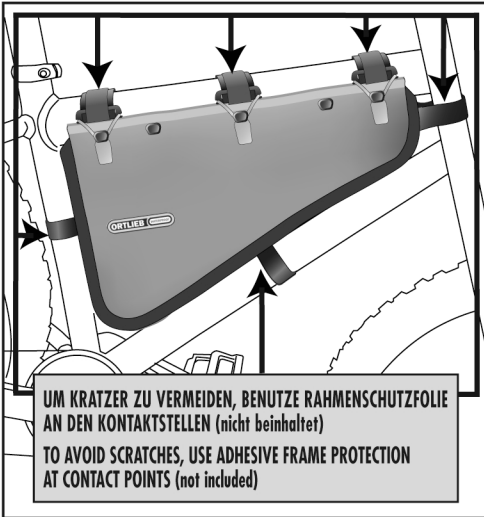
- | | | | |
|----|-------------------------|----|--------------------------|
| DE | MONTAGEANLEITUNG | ES | INSTRUCCIONES DE MONTAJE |
| GB | ASSEMBLY INSTRUCTIONS | SE | MONTERINGSANVISNING |
| FR | INSTRUCTIONS DE MONTAGE | NO | MONTERINGSANVISNING |
| IT | ISTRUZIONI DI MONTAGGIO | FI | ASENNUSOHJEET |
| NL | MONTAGE HANDLEIDING | PL | INSTRUKCJA MONTAZU |
| DK | MONTERINGSVEJLEDNING | JP | 装着方法 |



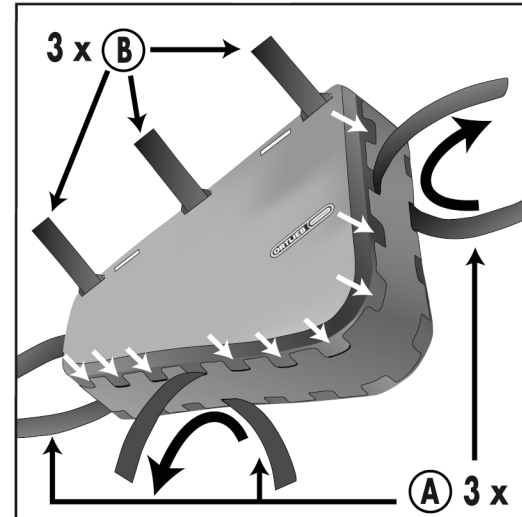
WEITERE INFORMATIONEN:
MORE INFORMATION:

<https://www.youtube.com/watch?v=CuMWYUYhSoM>

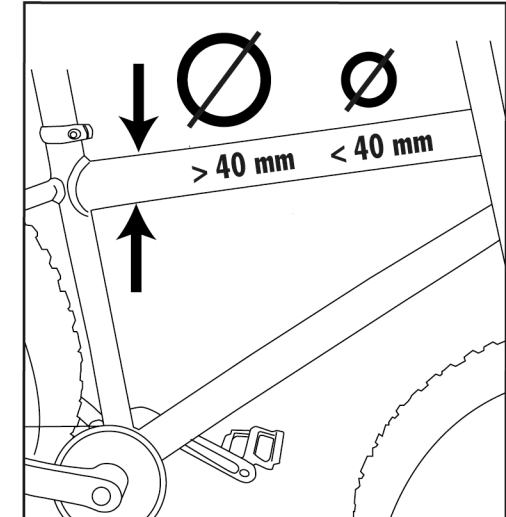




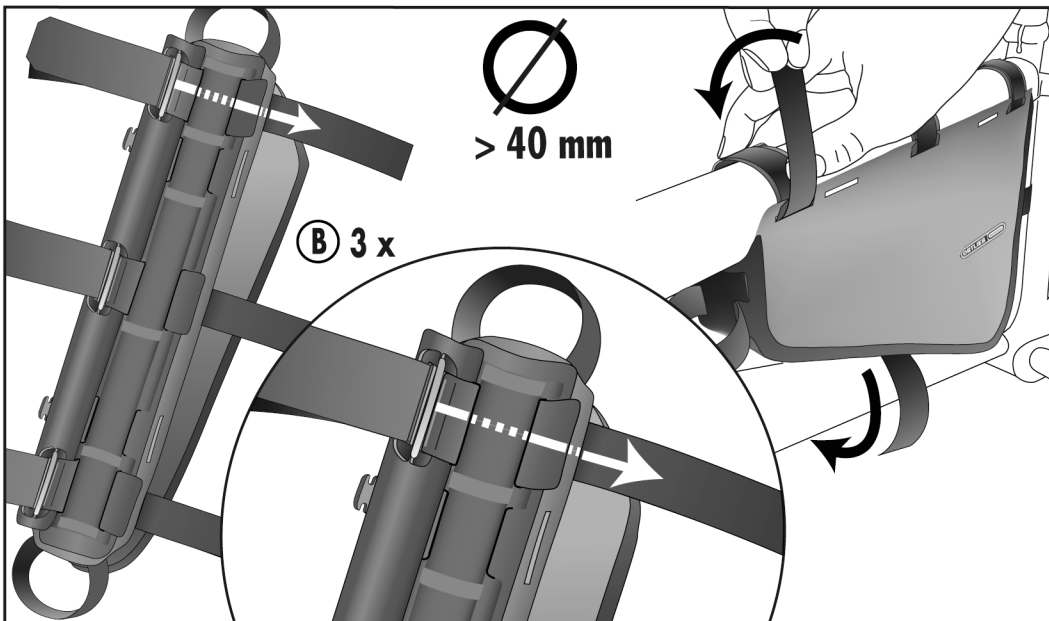
1.1



1.2



1.3 (> 40 mm)



1.3 (< 40 mm)

