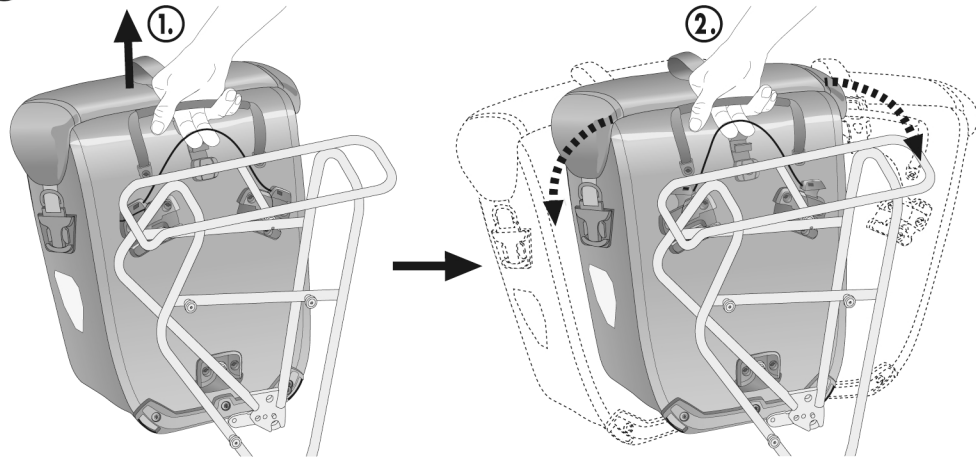
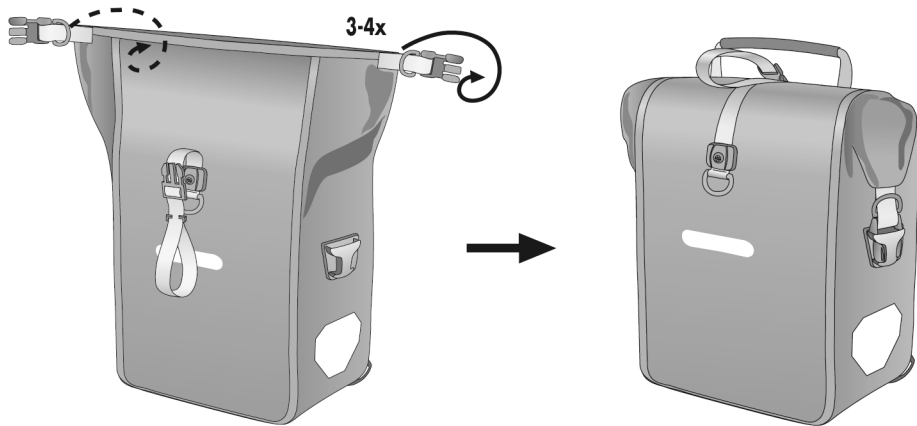


## 2 DEMOUNT BAG



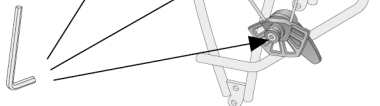
## 3 CLOSE BAG



### CHECK SECURE MOUNTING BEFORE RIDING



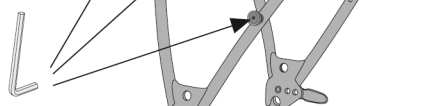
- 1.) 100 km (60 Miles)
- 2.) 500 km (300 Miles)
- 3.) 1000 km (600 Miles)
- 4.) 1500 km (900 Miles)
- ..... etc.



1,5 Nm



- 1.) 100 km (60 Miles)
- 2.) 500 km (300 Miles)
- 3.) 1000 km (600 Miles)
- 4.) 1500 km (900 Miles)
- ..... etc.



1,5 Nm

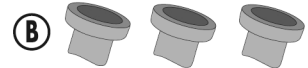
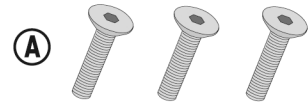
## GRAVEL-PACK QL3.1

**ORTLIEB** WATERPROOF

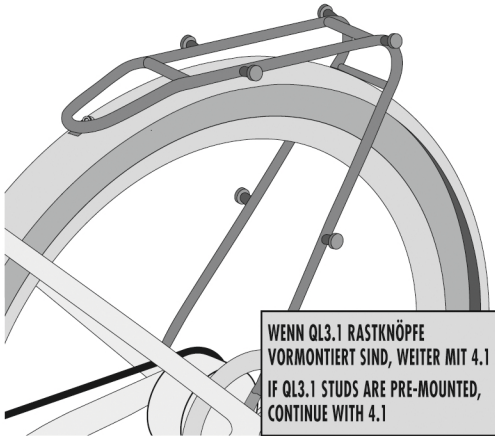
- DE MONTAGEANLEITUNG:
- GB ASSEMBLY INSTRUCTIONS:
- FR INSTRUCTIONS DE MONTAGE:
- IT ISTRUZIONI DI MONTAGGIO:
- NL MONTAGE HANDLEIDING:
- DK MONTERINGSVEJLEDNING:
- ES INSTRUCCIONES DE MONTAJE:
- SE MONTERINGSANVISNING:
- NO MONTERINGSANVISNING:
- FI ASENNUSOHJEET:
- PL INSTRUKCJA MONTAZU:
- JP 装着方法



- INHALT:
- CONTENTS:
- CONTENU:
- CONTENUTO:
- INHOLD:
- INNEHÅLL:
- INNHOLD:
- SISÄLLYS:
- ZAWARTOSC:
- 内容物



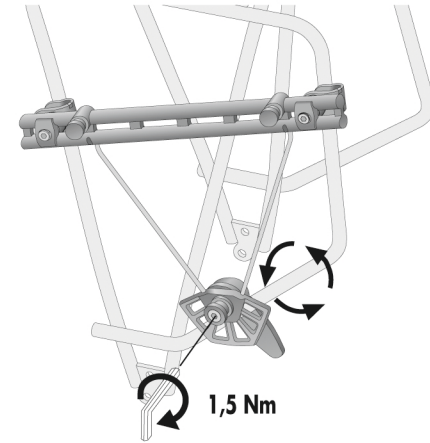
### RACK 1 QL3.1 INTEGRATED



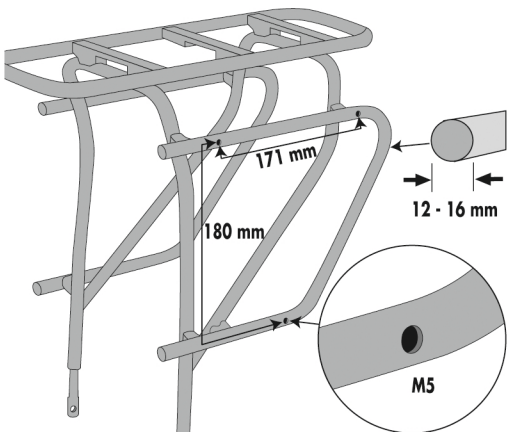
### RACK 2 QL3.1 COMPATIBLE



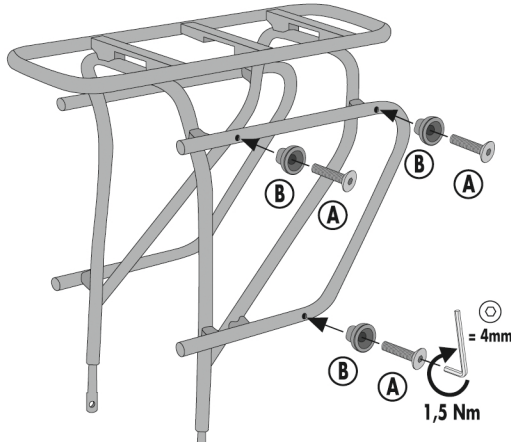
### RACK 4.2 MOUNTED ACCESSORIES



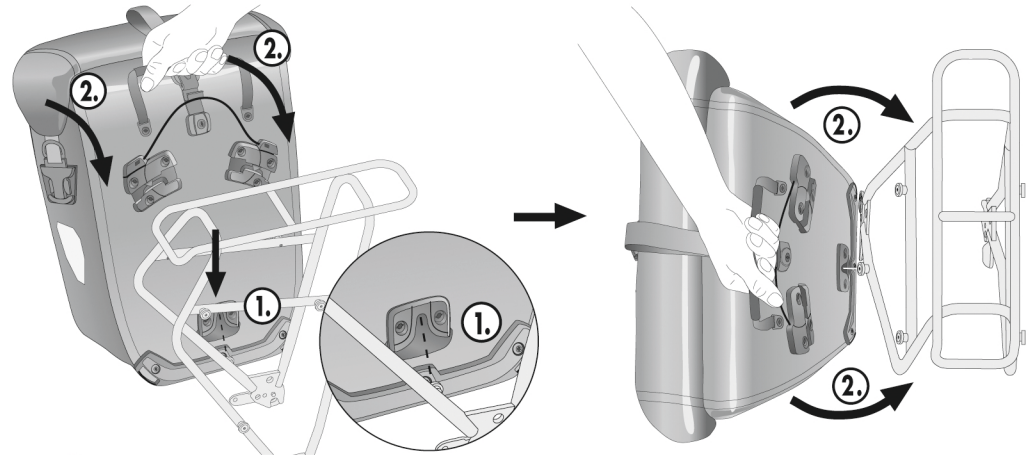
### RACK 3 COMPATIBLE MOUNTING POSITION



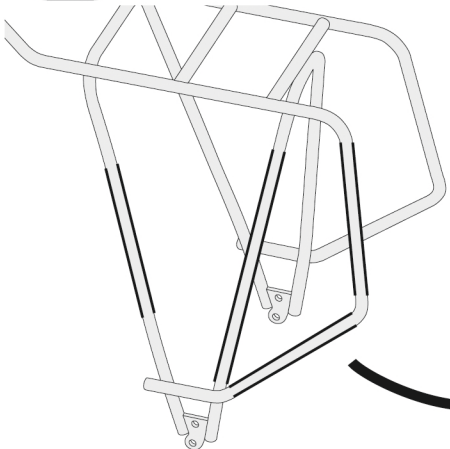
### RACK 3.1 MOUNT QL3.1 STUDS



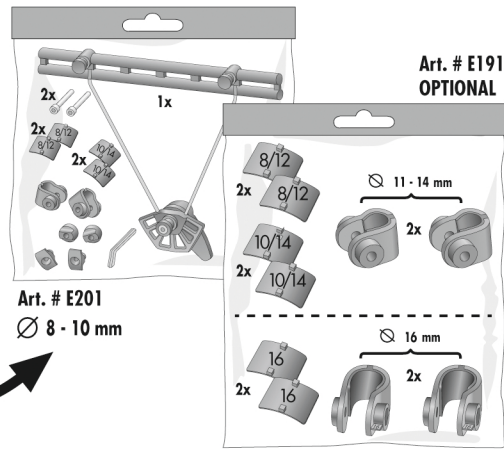
### 1.1 MOUNT BAG



### RACK 4 WITHOUT DIRECT COMPATIBILITY



### RACK 4.1 REQUIRED ACCESSORIES



### 1.2 MOUNT BAG

