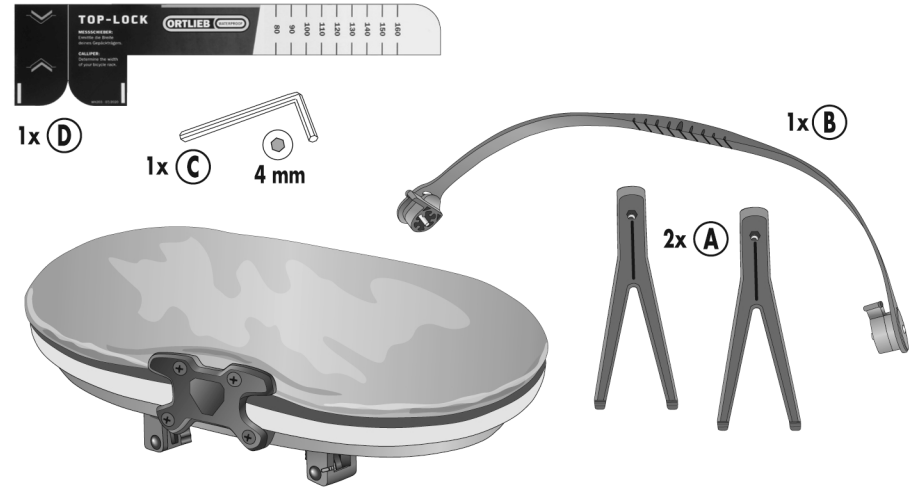


UP-TOWN RACK

- DE MONTAGEANWEISUNG
- GB ASSEMBLY INSTRUCTIONS
- FR INSTRUCTIONS DE MONTAGE
- IT ISTRUZIONI DI MONTAGGIO
- NL MONTAGE HANDLEIDING
- DK MONTERINGSVEJLEDNING
- ES INSTRUCCIONES DE MONTAJE
- SE MONTERINGSANVISNING
- NO MONTERINGSANVISNING
- FI ASENNUSOHJEET
- PL INSTRUKCJA MONTAŻU
- JP 装着方法



INHALT:
CONTENTS:
CONTENU:
CONTENUTO:
INHOUD:
INDHOLD:
CONTENIDO:
INNEHÅLL:
INNHOUD:
SISÄLLYS:
ZAWARTOSC:
内容物表



1

PUSH **A**

2

PULL **A**

3

PUSH **A**

4

PULL **A**

5

6

PUSH **B**

7

PUSH **B**

8

4 Nm

9

✓ = O.K.

10

11

PULL

12

PULL

13

PULL

14

15

PULL

16

PULL

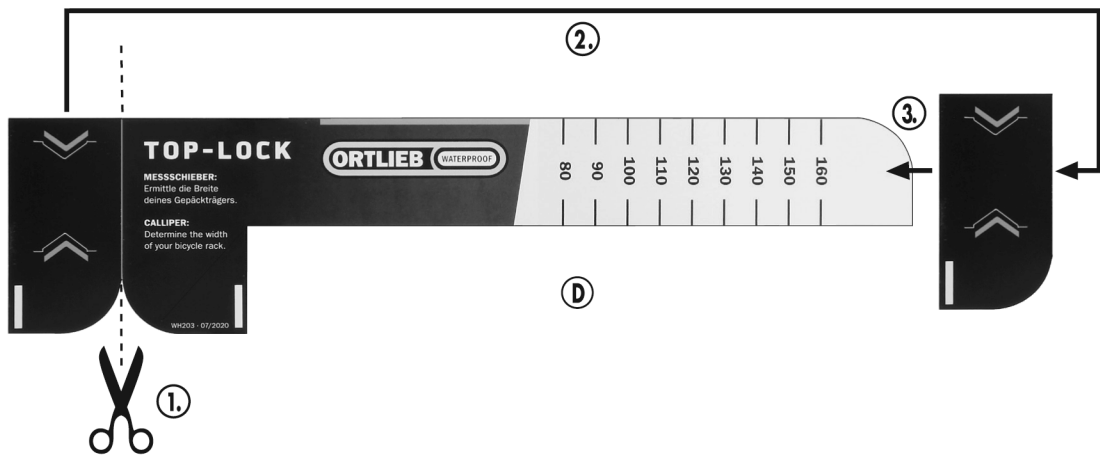
17

8 - 16 mm ✓ = O.K.

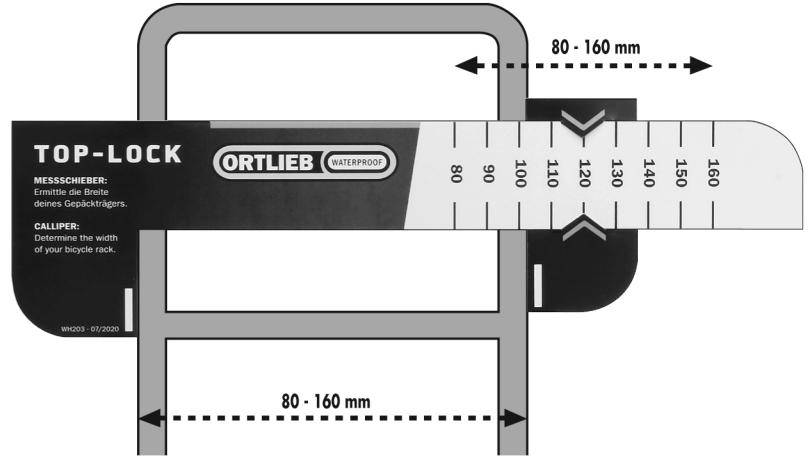
80 - 160 mm

No Pets!

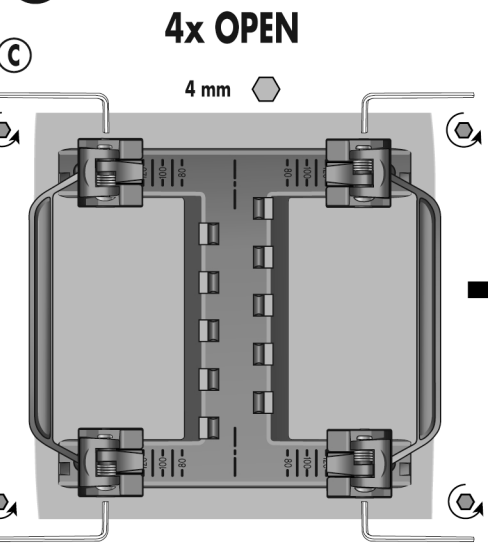
18



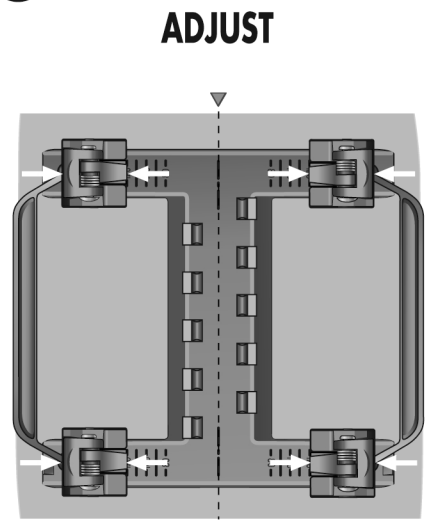
19



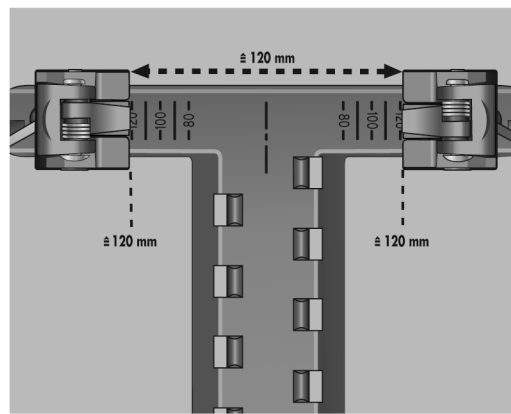
20 OPEN



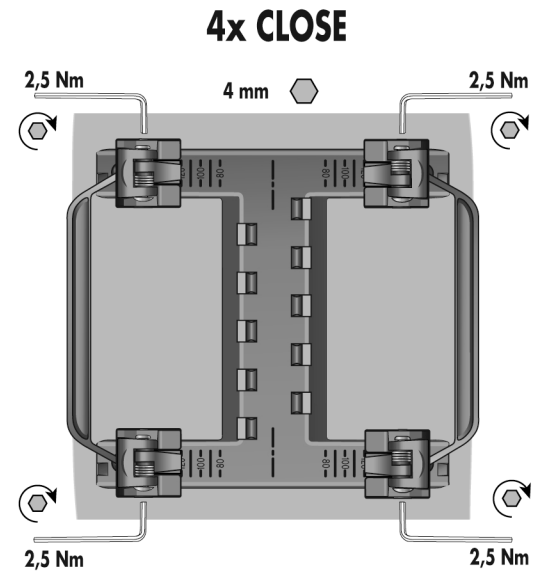
21 ADJUST



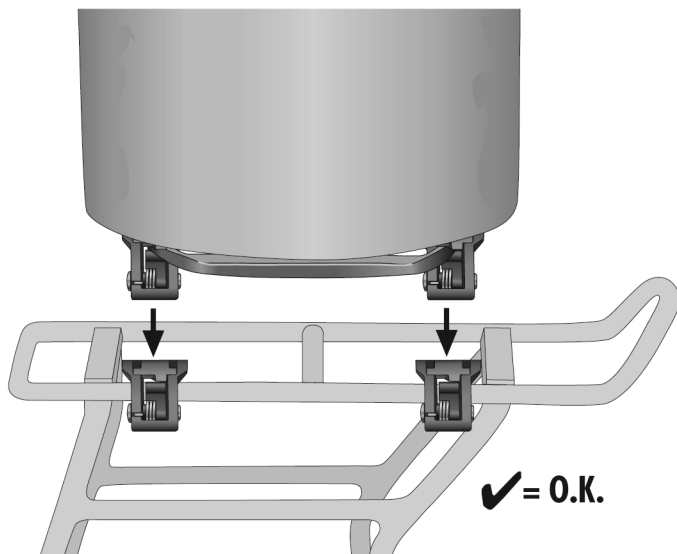
21a. EXAMPLE



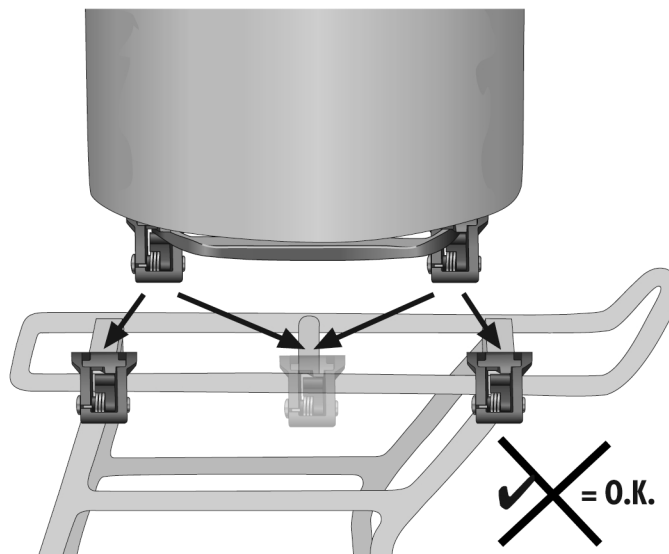
21a.a. CLOSE



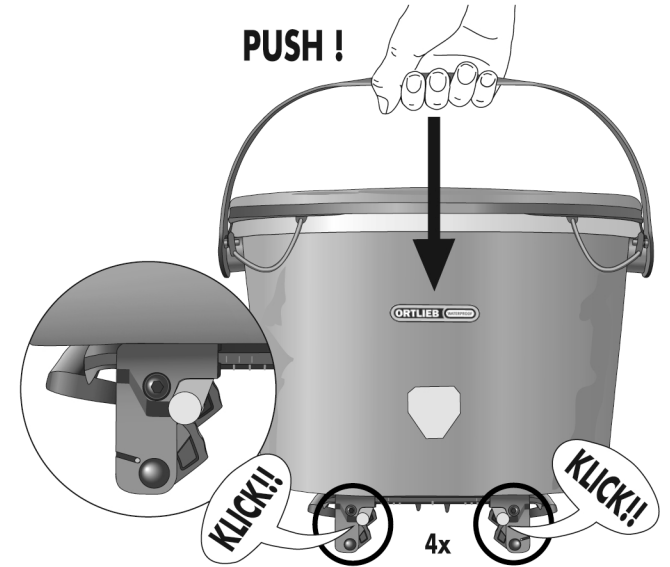
21 b.a. CORRECT POSITION



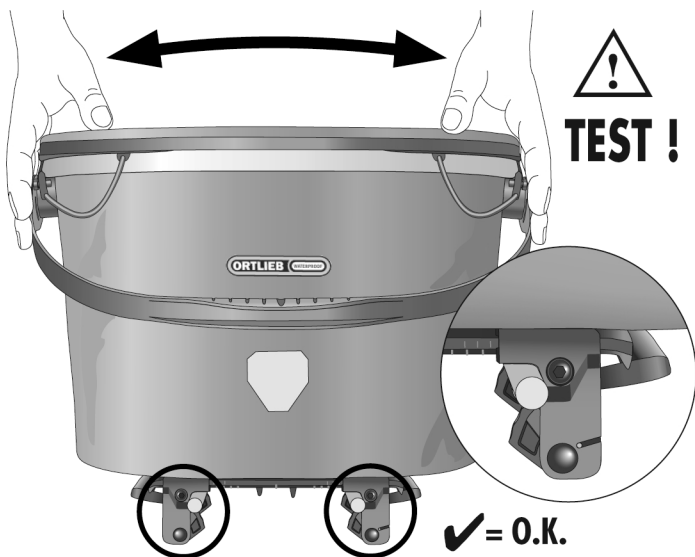
21 b.b. WRONG POSITION



21 c. FIX



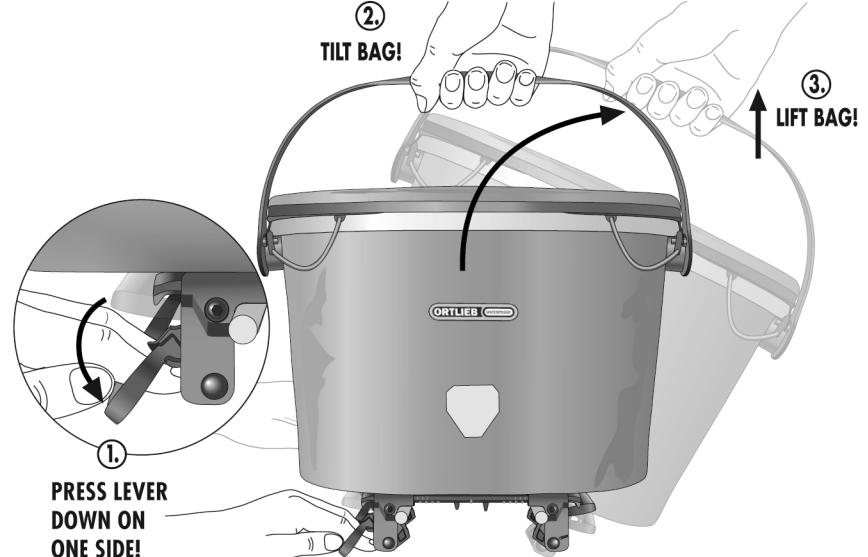
22 TEST



23 DIRECTION



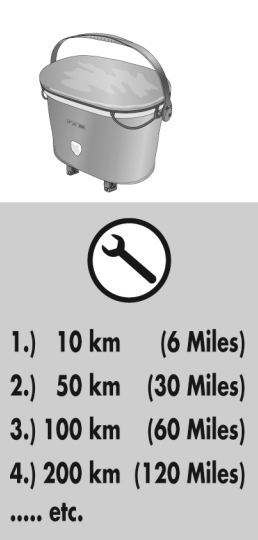
24 UNFIX



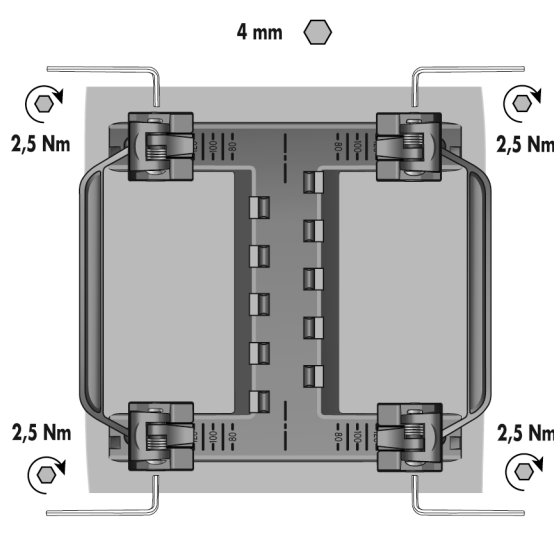
25



26 CHECK FIXATION BEFORE EVERY RIDE



MAX. LOAD



max. 10 kg

